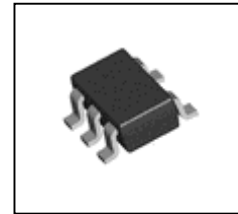


USB PORT NETWORK (Downstream)

Specifications:

Resistor Tolerance	+ 10%
Resistor TCR (ppm / °C)	+ 100
Capacitor Tolerance	+ 20%
Capacitor Voltage Rating	25v
Power Rating / Resistor (70°C)	100mW
ESD Protection HBM (Min)	+/- 8kV
ESD Clamp Voltage (Min)	+/- 6V
Operating Temp Range (°C)	-50 ~ +125

Package: (SOT-323-5)

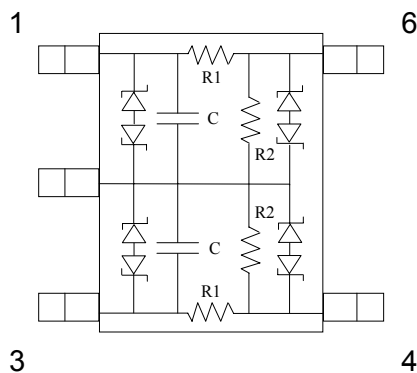


Marking " SBU "

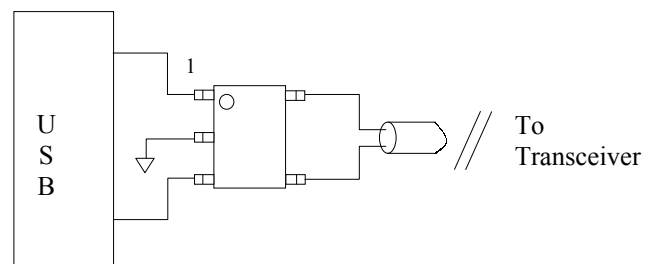
Description:

Developed to support serial data architecture, the SBU network provides the designer with an integrated single package solution for signal termination, EMI / RFI attenuation, and also I/O ESD protection. Common applications for this network are computers, cameras, printers, and other consumer products.

Schematic:



Application:



Standard Values:

Code	Values (R ₁ / R ₂ / C)
001	33 ohm / 15Kohm / 47pF
002	15 ohm / 15Kohm / 47pF

Ordering Information:

SBU	S05	L	TE	001
Series	Package S05 = SOT-323-5*	Lead Finish L = SnPb **	Tape / Reel TE = 7" reel TEB = 13" reel	Value Code

* Contact NWC for other package configurations

** Contact your Factory Representative to inquire about lead-free material options.